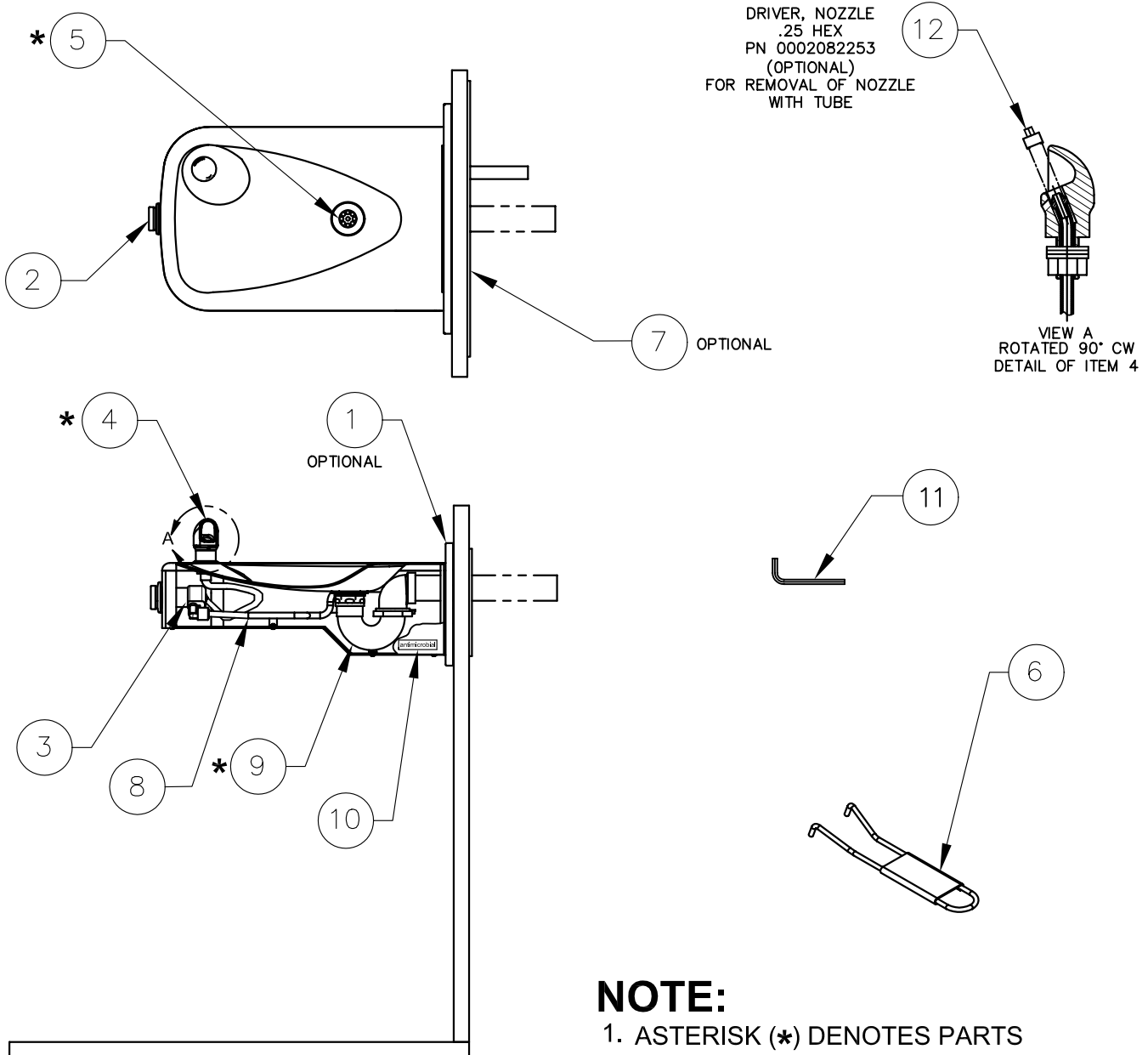


PARTS BREAKDOWN

	ITEM	DESCRIPTION
OPTIONAL	1	BACK PANEL SMALL 0004023600
	2	BUTTON PBA6
	3	VALVE 5874SS
*	4	HEAD ANTIMICROBIAL 5703MA
*	5	STRAINER ANTIMICROBIAL 6462A
	6	SPANNER WRENCH P/N 0006983506
OPTIONAL	7	MOUNTING PLATE 6700
	8	BOTTOM PLATE P/N 0004449315
*	9	TRAP ANTIMICROBIAL 0005982901
	10	LABEL ANTIMICROBIAL 0003149795
	11	KEY HEX F/PINNED HEX 0002981127
	12	DRIVER, NOZZLE .25 HEX 0002082253



NOTE:

1. ASTERISK (*) DENOTES PARTS WITH AN ANTIMICROBIAL COATING.

**WHEN ORDERING
PARTS PLEASE
SPECIFY YOUR
MODEL NUMBER**



1455 KLEPPE LANE
SPARKS, NEVADA 89431
(775) 359-4712 FAX (775) 359-7424
E-MAIL: HAWS@HAWS.CO.COM
WEBSITE: WWW.HAWS.CO.COM

DRAWN BY: C. FENNER	DATE: 10/25/06	CHECK BY:	APPROV BY:	SCALE: 1/1
TITLE: 1107L			PART NUMBER: 0002080232	
DRAWING TYPE: PARTS BREAKDOWN			DRAWING NUMBER: 15266A00	REV: 7