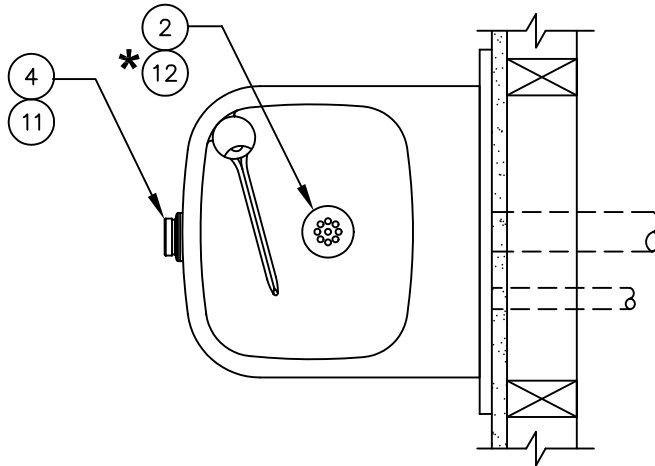
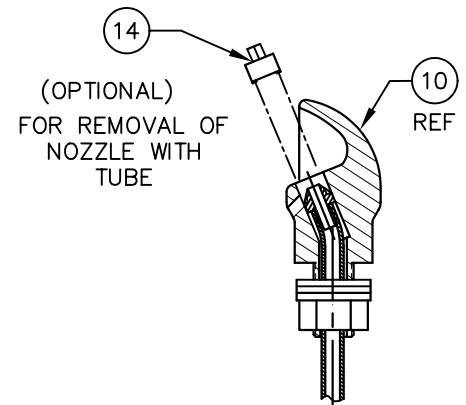
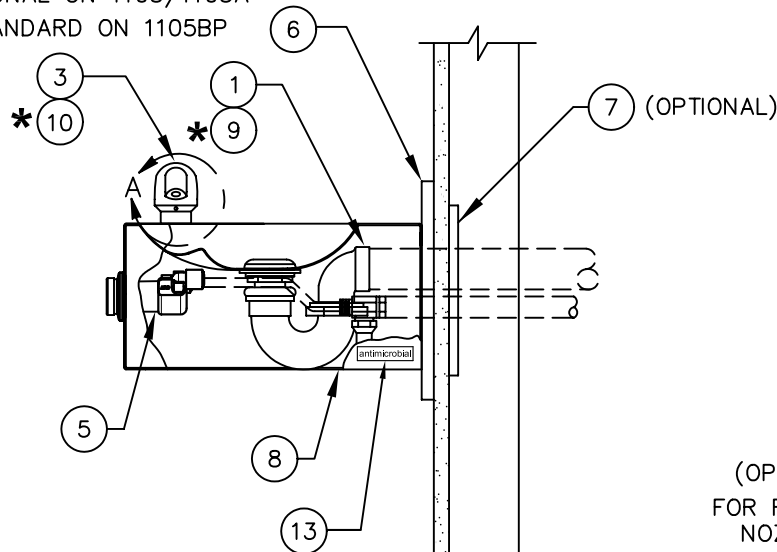


PARTS BREAKDOWN

ITEM	DESCRIPTION
1	TRAP 0005982900
2	STRAINER ASSEMBLY 6462
3	BUBBLER HEAD 5703M
4	PUSH BUTTON ASSEMBLY PBA6
5	VALVE 5874 SS
6	BACK PANEL BP3
OPTIONAL	7 MOUNTING PLATE 6700
8	ACCESS PLATE PBM1105
* 9	TRAP ANTIMICROBIAL 0005982901
* 10	HEAD ANTIMICROBIAL 5703MA
11	BUTTON PBA6
* 12	STRAINER ANTIMICROBIAL 6462A
13	LABEL ANTIMICROBIAL 0003149795
OPTIONAL	14 DRIVER, NOZZLE .25 HEX 0002082253




OPTIONAL ON 1105/1105A
STANDARD ON 1105BP



DETAIL A
ROTATED 90° CW

NOTE:

1. ASTERISK (*) DENOTES PARTS WITH AN ANTIMICROBIAL COATING.

<p>WHEN ORDERING PARTS PLEASE SPECIFY YOUR MODEL NUMBER</p>			1455 KLEPPE LANE SPARKS, NEVADA 89431 (775) 359-4712 FAX (775) 359-7424 E-MAIL: HAWS@HAWS.CO.COM WEBSITE: WWW.HAWS.CO.COM		
	DRAWN BY: F. VASQUEZ	DATE: 04/10/98	CHECK BY:	APPVD BY:	SCALE: 1/4
	TITLE: 1105/1105BP/1105A			PART NUMBER: 0002076524	
	DRAWING TYPE: PARTS BREAKDOWN			DRAWING NUMBER: 13374C00	REV. 12