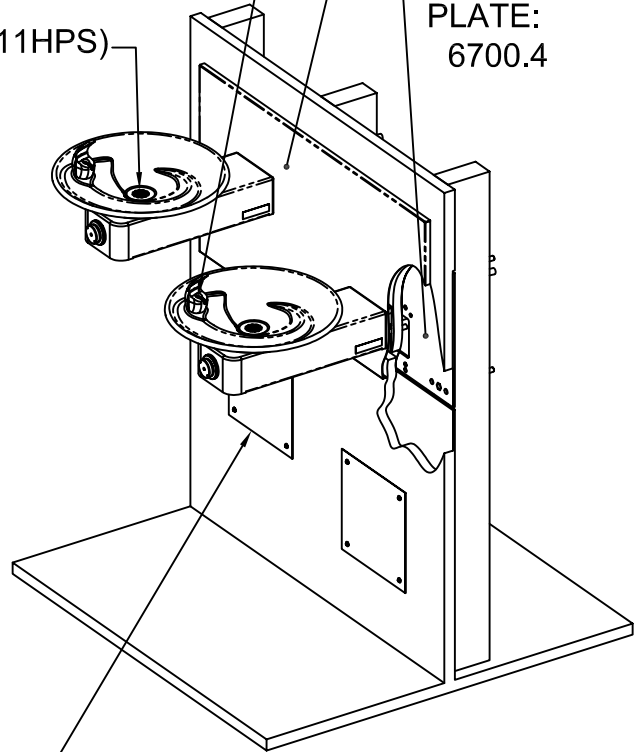
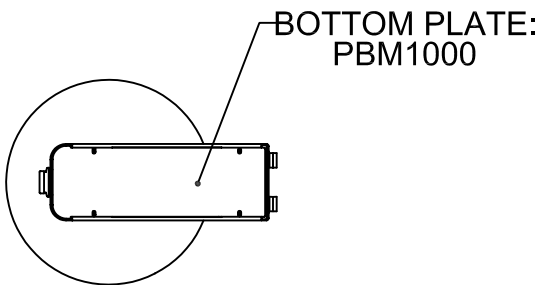


BACK PANEL:
0004012000 (1011)
0004012023 (1011HPS)

LAMINAR INSERT (ONLY):
5705LAMIN

STRAINER:
6463 (1011)
6463PCP (1011HPS)

MOUNTING
PLATE:
6700.4



TRAP ACCESS PANEL (OPTIONAL):
6603 (1011)
6603HPS (1011HPS)

WHEN ORDERING
PARTS PLEASE
SPECIFY YOUR
MODEL NUMBER



1455 KLEPPE LANE | BACHWEG 3
SPARKS, NEVADA | CH3401 BURGDORF
SWITZERLAND

REV	DESCRIPTION	ECN	DATE	BY/APVD
12	UPDATED PER	3812	1/10/06	JF
REVISIONS				

DRAWN BY: RM	DATE: 10/20/98	CHECK BY:	APP'VD BY:	SCALE: 1/8
TITLE: 1011/1011HPS			PART NUMBER: 0002076520	
DRAWING TYPE: PARTS BREAKDOWN			DRAWING NUMBER: 0002076520	REV. 12