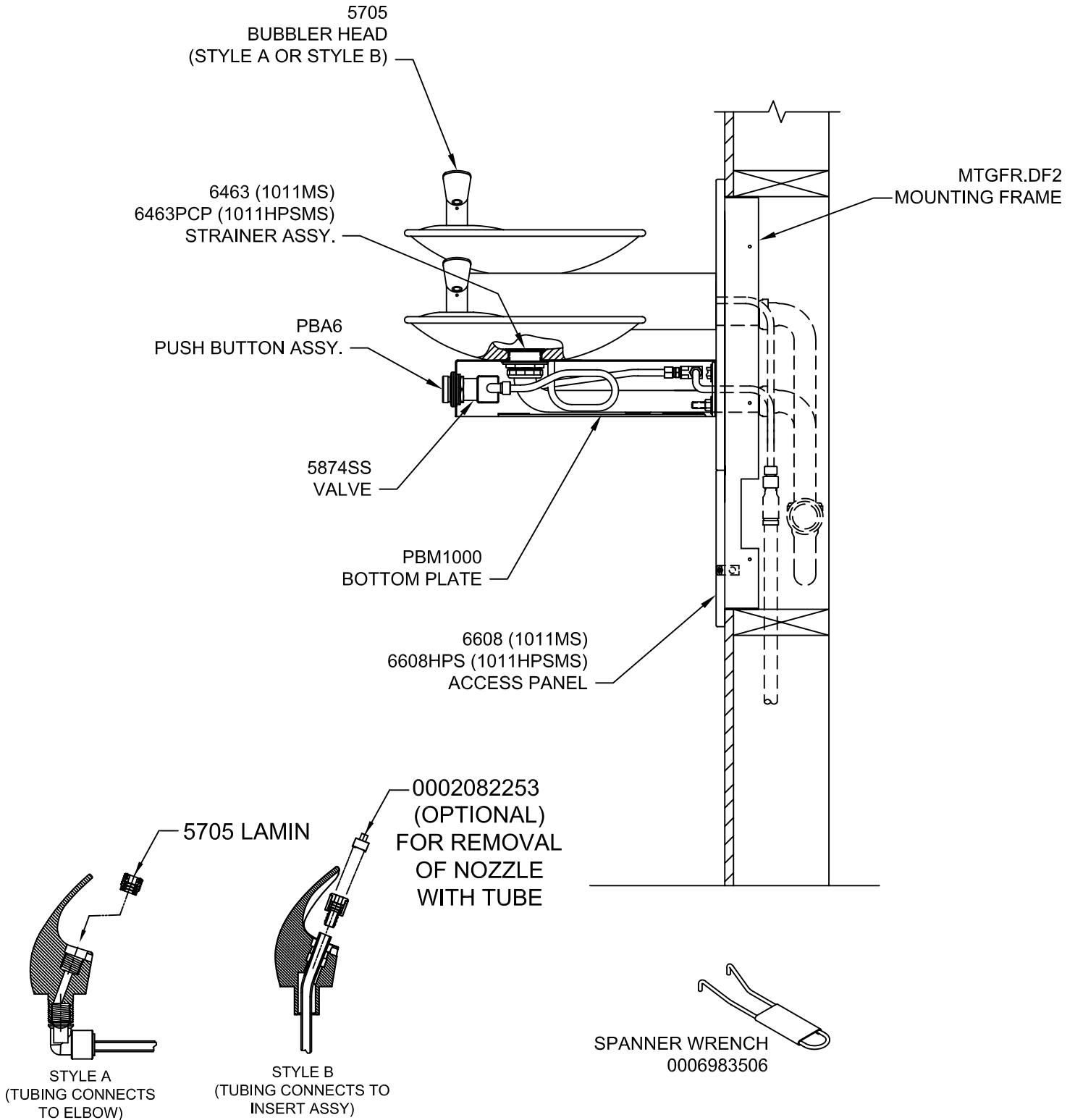


PARTS BREAKDOWN



FOUNTAIN COULD HAVE EITHER STYLE

DETAIL A
ROTATED INTO VIEW



Haws[®]

1455 KLEPPE LANE
SPARKS, NEVADA 89431
(775) 359-4712 FAX (775) 359-7424
E-MAIL: HAWS@HAWS.CO.COM
WEBSITE: WWW.HAWS.CO.COM

WHEN ORDERING PARTS PLEASE SPECIFY YOUR MODEL NUMBER

ECN NO:	REVISED PER:	BY:	MODEL(S)	PART NUMBER:
	ECN: 4175	HM	1011HPSMS/1011MS	0002076519
DRAWN:	DATE:	CHK'D:	DRINKING FOUNTAIN	DRAWING NO.:
PM	08/02/99			14220A00
APPROVED:	DATE:		SCALE: 1/4	DRAWING TYPE: PARTS BREAKDOWN
			SIZE: A	SHEET 1 OF 1