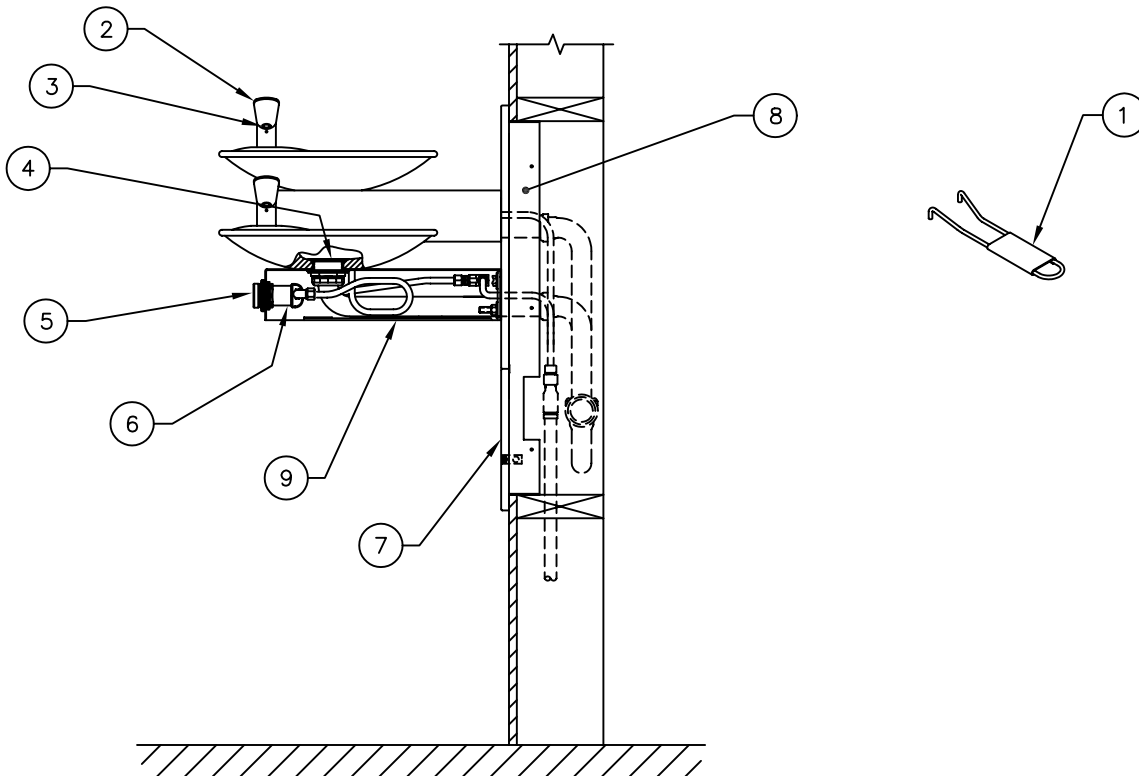
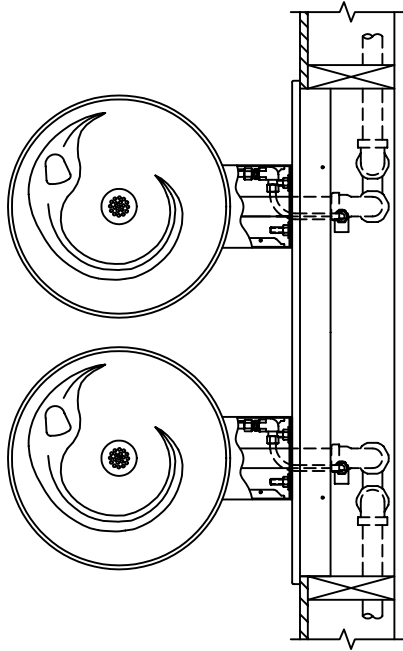


# PARTS BREAKDOWN

ITEM	DESCRIPTION	1011MS	1011HPSMS
1	SPANNER WRENCH	0006983506	0006983506
2	BUBBLER HEAD W/INSERT	5705	5705
3	LAMINAR INSERT	5705LAMIN	5705LAMIN
4	STRAINER ASSY	6463	6463PCP
5	PUSH BUTTON ASSY	PBA6	PBA6
6	VALVE	5874	5874
7	ACCESS PANEL	6608	6608HPS
8	MOUNTING FRAME	MTGFR.DF2	MTGFR.DF2
9	BOTTOM PLATE	PBM1000	PBM1000



WHEN ORDERING  
PARTS PLEASE  
SPECIFY YOUR  
MODEL NUMBER



1455 KLEPPE LANE | BACHWEG 3  
SPARKS, NEVADA | CH3401 BURGDORF  
SWITZERLAND

DRAWN BY: P MCMULLEN	DATE: 8 / 2 / 99	CHECK BY:	APP'D BY:	SCALE: 1/6
TITLE: MODELS 1011HPSMS			PART NUMBER: 0002076519	
DRAWING TYPE: PARTS BREAKDOWN			DRAWING NUMBER: 14220C00	REV. 4

REV	DESCRIPTION	ECN	DATE	BY/APVD
REVISIONS				